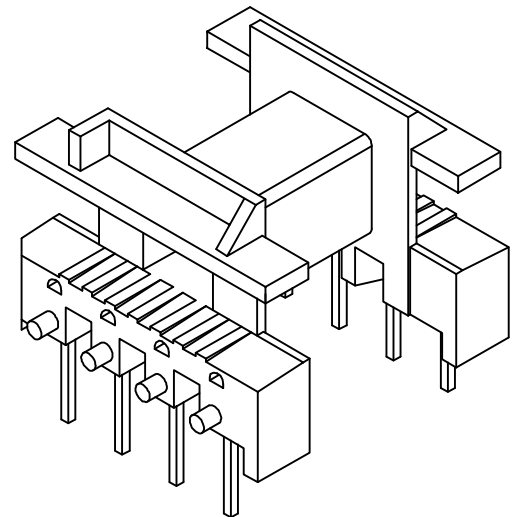
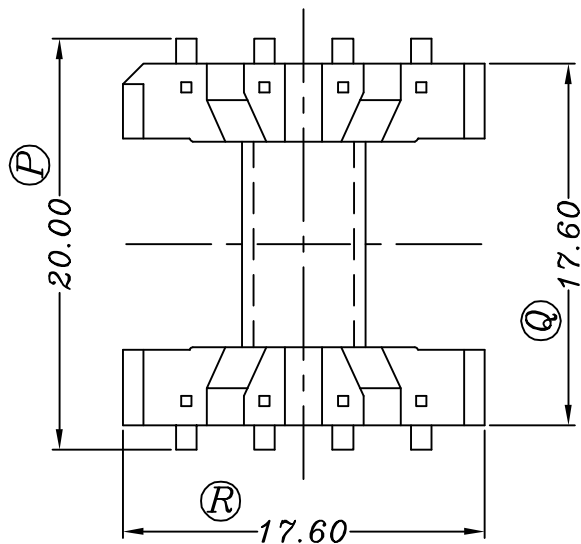
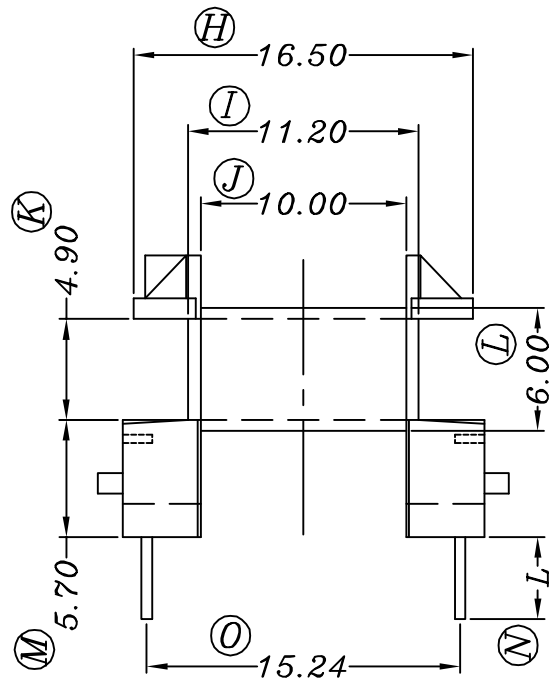
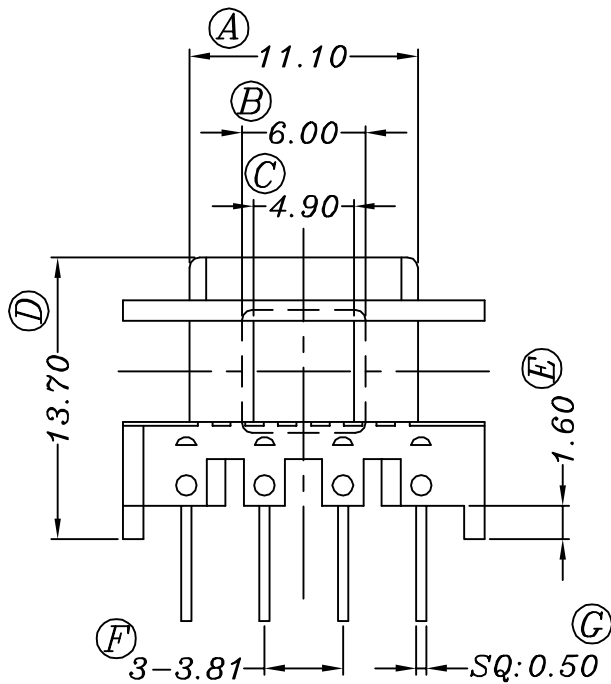


FWB1620



REV	REVISION RECORD	DATE	REV	REVISION RECORD	DATE		
A			C				
B			D				
NAME	EF16 4+4P	MATERIAL	PET	SCALE	ANGLE	$\pm 1^\circ$	
DRAWING NO.	FWB1620	PIN MATERIAL	CP WIRE	UNIT	m/m	REV	A
TOLERANCE OF PIN PITCH ± 0.20				HAINING FERRIWO ELECTRONICS CO.,LTD. TEL: +86-573-87088701 FAX: +86-573-87081130 Web: www.ferriwo.com Email: sales@ferriwo.com			
PIN TENSION LOAD		kg	MN				UL REC: 94V-0
TOLERANCE: 0<L≤4: ±0.2		4<L≤16: ±0.3	16<L≤63: ±0.4				